



PREMIUM
QUALITY

SPORTS POWER

ABSORBED GLASS MAT TECHNOLOGY

Advanced
generation
technology for
performance
and life!



Ideal for ATVs,
Motorcycles,
Personal Watercraft
& Snowmobiles

The **Deka Sports Power AGM Battery** was designed for more than performance, it was designed for the enthusiast. Completely spillproof and leakproof; frequent replacement and high maintenance are over! The absorbed glass mat (AGM) technology increases power while improving rider and environmental safety. The key to this technology is the highly porous microfiber separators which completely absorb and trap the electrolyte. Molded top and side connection terminals provide versatility, increased strength and durability. The **Deka Sports Power AGM Battery** provides the most advanced power and value in the industry, so your customers can enjoy their leisure time, worry free.

WORRY FREE...

- No Vent tube
- No acid leaks to cause terminal corrosion
- Withstands damaging effects of vibration
- Environmentally friendly, 100% recyclable

MAINTENANCE FREE...

- No Filling
- No Activation
- Eliminates low water levels
- Low discharge rates for off season storage



QUALITY SYSTEM
CERTIFIED TO
ISO 9001
ISO/TS 16949
ISO 14001

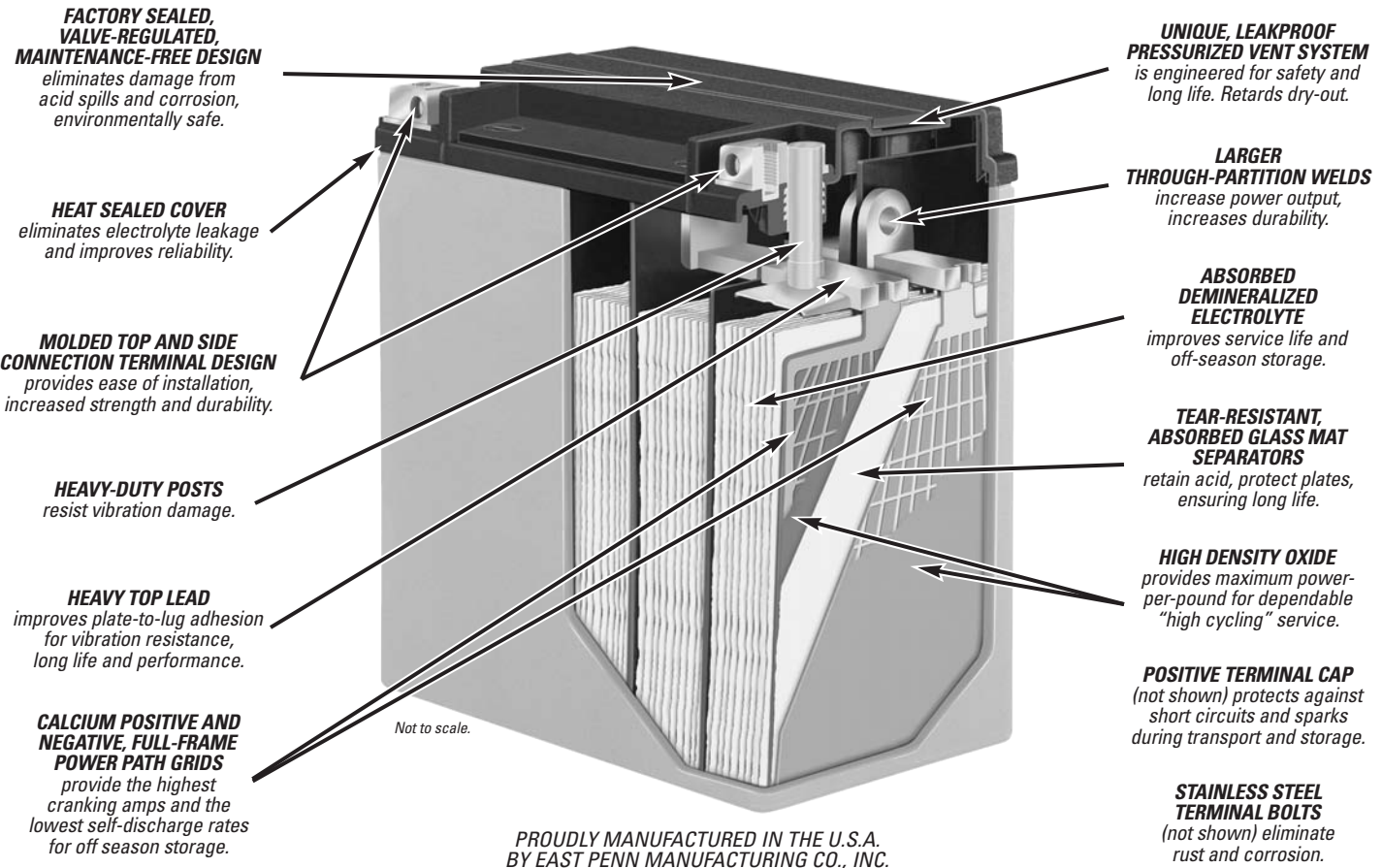
Specifically Engineered for Demanding Sports Power Use!



SPORTS POWER

ABSORBED GLASS MAT TECHNOLOGY

Premium quality, specially designed Absorbed Glass Mat batteries are manufactured under strict quality controls to assure superior performance and long life. The AGM design allows easy installation without the worry of acid spills and damage to equipment.



PART NO.	FOOT-NOTES	CCA @ 0°F	10 AH Rating	APPROX. WT. lbs.	APPROX. WT. kg	LENGTH in.	LENGTH mm	WIDTH in.	WIDTH mm	HEIGHT in.	HEIGHT mm	Replaces these part numbers:
ETX9	2,38,39	120	8	6.3	2.9	5 1/8	150	3 1/16	88	4 3/16	106	YTX9-BS
ETX12	2,38,39	180	10	9.4	4.3	5 1/8	150	3 1/16	88	5 1/8	130	YTX12-BS, YB12B-B2 (56)
ETX14	2,38,39,75,77	200	12	12.0	5.4	5 1/8	150	3 1/16	88	5 3/4	145*	YTX14-BS, YTX16-BS, YTX16-BS-1, YB16B-A (56), YB16B-A1 (56)
ETX15	2,38,39,76	190	14	11.0	5.0	5 1/8	134	3 1/2	90	6 3/16	166*	YB14-A2, YB14-B2, YB14A-A1, YB14A-A2
ETX15L	2,38,39	190	14	11.0	5.0	5 1/8	134	3 1/2	90	6 3/16	166	YB14L-A1, YB14L-A2, YB14L-B2, 12N14-3A, SYB14L-A2 (65), SYB14L-B2 (65)
ETX16	2,38,39,74,77	275	19	17.0	7.7	6 1/8	175	4	100	6 1/8	155*	YB16-B-CX, YB16-B, Y60-N24-A (56), YB16C-B
ETX16L	2,38,39,74,77	275	19	17.0	7.7	6 1/8	175	4	100	6 1/8	155*	YB16HL-A-CX, YB16L-B, 12N16-3B, Y60-N24AL-B (56), YB16CL-B, 12N24-3 (56), 12N24-3A (56)
ETX18L	2,38,39,77	300	20	18.0	8.2	8 1/8	206	3 3/16	91	6 1/8	163	Y1X50L-BS, Y50-N18L-A-CX, Y50-N18L-A-LM, Y50-N18L-A, Y50-N18L-A3, SY50-N18L-AT (65)
ETX20L	2,38,39,77	270	17.5	15.5	7.0	6 1/8	177	3 3/16	88	6 1/8	155	YTX20L-BS, YB18L-A (56)
ETX30L	2,38,39,77	365	26	21.7	9.8	6 1/8	168	5 1/16	131	6 1/8	176	Y1X30L, YB30L-B, YB30LCL-B (56)

FOOTNOTES: 2 - Black cover / Gray case.
 38 - "Non-spillable" defined by DOT (Department of Transportation) definitions
 39 - "Non-spillable" defined by ICAO (International Commercial Airline Organization) and IATA (International Airline Transport Association) definitions
 56 - Hold-down modification may be required
 65 - Includes sensor not supplied with AGM
 74 - Shipped with 20mm adapter
 75 - Shipped with two (2) 17mm adapters
 76 - Shipped with 10mm adapter
 77 - Does not meet Harley-Davidson OEM specifications
 * - Height without adapter

"POWERED FOR PERFORMANCE"®

EAST PENN manufacturing co., inc.

Lyon Station, PA 19536-0147 • Phone: 610-682-6361 • Fax: 610-682-4781
Order Department Hotline: 610-682-4231
 www.dekabatteries.com • E-mail: eastpenn@eastpenn-deka.com

E.P.M. Form No. 0278 Rev. 2/07 © 2007 by EPM Printed in U.S.A.

DISTRIBUTED BY:

No part of this document may be copied or reproduced, electronically or mechanically, without written permission from the company.